

KIT-M8M Series

ARM

NXP i.MX 8M Processor
Open Frame ARM Based Panel PC



KEY FEATURES



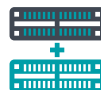
Touch Screen

P-Capacitive Touch supports 10 points



LPDDR4

LPDDR4-3200 2GB plus 16GB eMMC on board



Multiple Expansion

Expandable via M.2 2230 E Key and 3042/2242 B Key



Easy Integration

Easy installation and maintenance

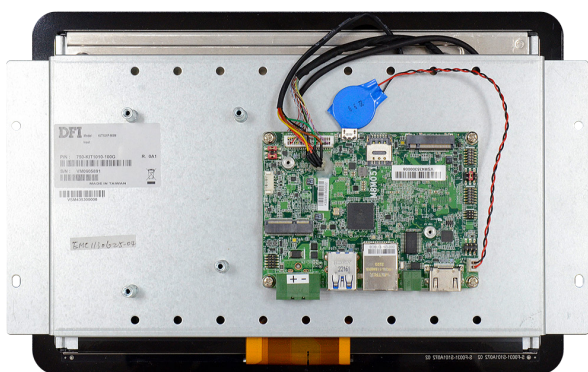


ARM-Based System

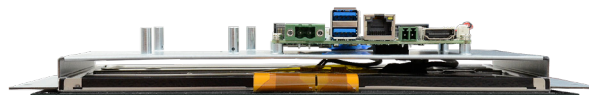
Support Android9.0 and Yocto4.3



Panel

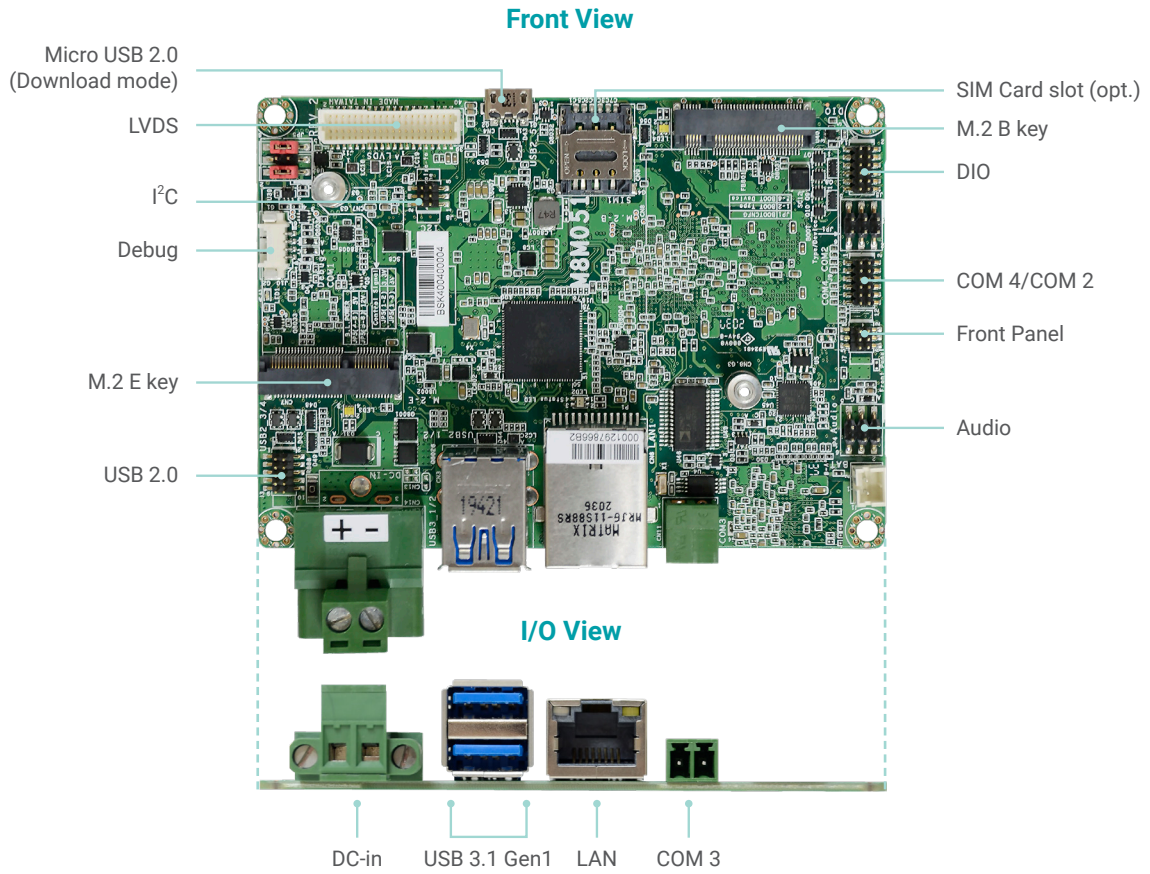


Rear View

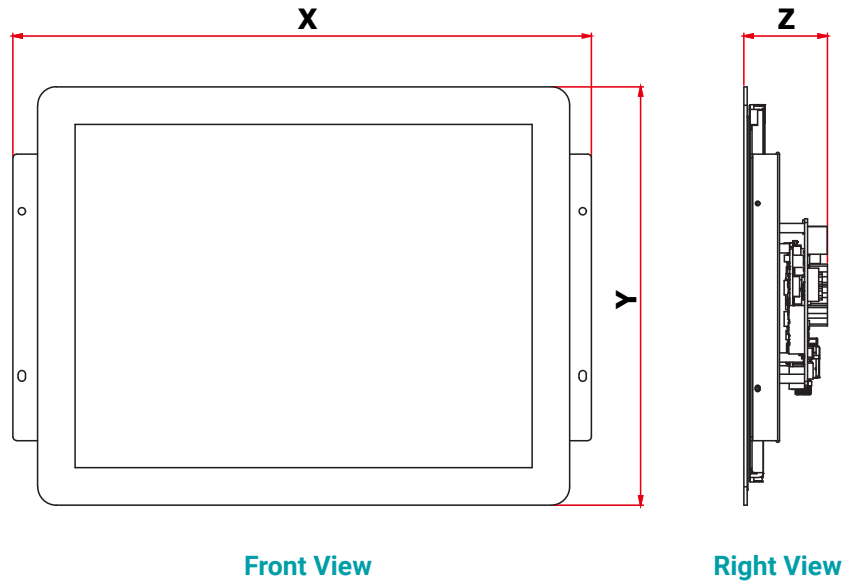


I/O View

System



DIMENSIONS



Display Type	System Dimensions (mm)		
	W	H	D
7" LCD	203	118	30.09
10.1" LCD	279.1	172.95	43.6
12.1 LCD	312.9	226.25	45.2

SPECIFICATION

MODEL NAME		KIT070P-M8M	KIT101P-M8M	KIT121P-M8M
DISPLAY & TOUCH SCREEN	Display Type	7" TFT LCD	10.1" TFT LCD	12.1" TFT LCD
	Aspect Ratio	16:9	16:10	4:3
	Max. Resolution	800 x 480	1280 x 800	1024 x 768
	Brightness(cd/m ²)	500		
	Touch Type	Projected Capacitive		
	Backlight Lifetime (hours)	40,000	50,000	30,000
ENVIRONMENT	Operating Temperature	0~50°C with 0.6m/s air flow		
	Storage Temperature	-30~80°C		
	Relative Humidity	5 to 90% RH (non-condensing)		
SYSTEM	Processor	NXP i.MX 8M Dual/Quad Cortex-A53, 1.5GHz		
	Memory	2GB Memory on board, Single channel LPDDR4 up to 3200MHz		
STORAGE	Emmc	16GB eMMC on board		
EXPANSION	Interface	1 x M.2 B key 3042/2242 (USB3.1 Gen1) 1 x M.2 E key 2240 (PCIex1 / USB2.0)		
I/O	Ethernet	1 x GbE RJ45		
	USB	2 x USB3.1 Gen1 Type A 1 x Micro USB2.0		
	Serial	1 x RS485		
POWER	Type	VDC 12V input / VDC 9-48V input (by optional)		
	Connector	2-poles Terminal Block		
OS SUPPORT	Android	Android 9.0		
	Linux	Yocto 4.3		
MECHANISM	Dimension (W x H x D)	203 x 118 x 39.09	279.1 x 172.95 x 43.6	312.9 x 226.25 x 45.2
	Weight	0.7 Kg	1.0 Kg	1.1 Kg
CERTIFICATION	Certification	CE / FCC Class A / RoHS		

ORDERING INFORMATION

Model Name	Part Number	Description
KIT070P-M8M	750-KIT0700-000G	KIT070P-M8M: 7" TFT WVGA Open frame Panel PC; NXP i.MX 8M Dual Cortex-A53, 2GB LPDDR4, 16GB eMMC, PCAP touch, F/G SYSTEM RoHS
	750-KIT0700-100G	KIT070P-M8M: 7" TFT WVGA Open frame Panel PC; NXP i.MX 8M Quad Cortex-A53, 4GB LPDDR4, 16GB eMMC, PCAP touch, F/G SYSTEM RoHS
KIT101P-M8M	750-KIT1010-000G	KIT101P-M8M: 10.1" TFT WXGA Open frame Panel PC; NXP i.MX 8M Dual Cortex-A53, 2GB LPDDR4, 16GB eMMC, PCAP touch, F/G SYSTEM RoHS
	750-KIT1010-100G	KIT101P-M8M: 10.1" TFT WXGA Open frame Panel PC; NXP i.MX 8M Quad Cortex-A53, 4GB LPDDR4, 16GB eMMC, PCAP touch, F/G SYSTEM RoHS
KIT121P-M8M	750-KIT1210-000G	KIT121P-M8M: 12.1" TFT XGA Open frame Panel PC; NXP i.MX 8M Dual Cortex-A53, 2GB LPDDR4, 16GB eMMC, PCAP touch, F/G SYSTEM RoHS
	750-KIT1210-100G	KIT121P-M8M: 12.1" TFT WVGA Open frame Panel PC; NXP i.MX 8M Quad Cortex-A53, 4GB LPDDR4, 16GB eMMC, PCAP touch, F/G SYSTEM RoHS

PACKING LIST

• 1 x Single Box
• 1 x 2-pin Terminal Block Connector
• 2 x M2 Screw
• 1 x Terminal block for RS485